

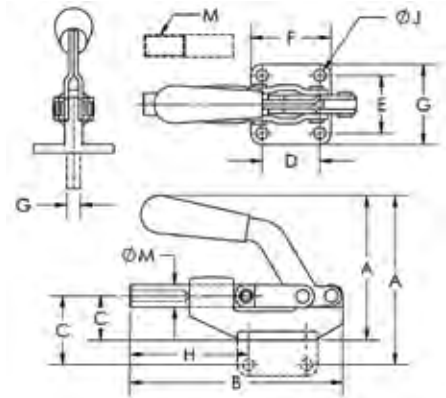
Straight Line Action Clamps

Part Numbers 34340, 34350,
34360, 34309, 34308

Spindle Type: Hex Head

Spindle Size:

- 5/16-18 X 1.00 (34340)
- 3/8-16 X 1.25 (34350, 34360)
- 1/2-13 X 2.00 (34309, 34308)



Part No.	A	B	C	D	E	F	G	H	J	M	Mounting Type	Handle Type	Holding Cap. Lbs.	Plunger Travel	Spindle Thread
34340	3.34	3.64	0.98	1.44	1.32	2.30	1.85	2.03	0.23	0.43	FLANGE	45 degrees	600	1.25	INTERNAL
34350	4.19	6.41	1.25	1.62	1.63	2.33	2.25	3.13	0.33	0.63	FLANGE	45 degrees	850	1.65	INTERNAL
34360	4.95	9.39	1.78	1.99	2.00	2.89	2.48	5.00	0.34	0.70	FLANGE	45 degrees	1500	2.36	INTERNAL
34309	4.75	6.41	1.25	1.60	1.62	2.33	2.25	3.14	0.33	0.62	FLANGE	45 degrees	850	1.25	INTERNAL
34308	6.93	9.38	1.83	2.00	2.02	2.85	2.82	5.75	0.35	0.70	FLANGE	45 degrees	1500	2.36	INTERNAL

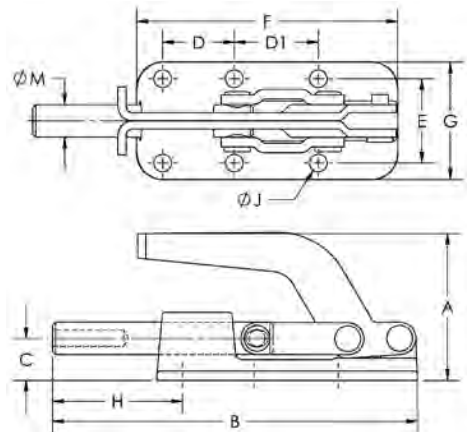
Straight Line Action Clamps

Part Numbers 34304, 34330

Spindle Type: Hex Head

Spindle Size:

- 5/16-18 X 1.00 (34304)
- 3/8-16 X 1.25 (34330)



Part No.	A	B	C	D	E	F	G	H	J	M	Mounting Type	Handle Type	Holding Cap. Lbs.	Plunger Travel	Spindle Thread
34304	3.28	6.10	0.68	1.38	1.62	4.30	2.18	1.86	0.28	0.51	FLANGE	STANDARD	800	1.63	INTERNAL
34330	2.93	7.06	0.88	1.39	1.63	5.25	2.24	1.82	0.35	0.63	FLANGE	STANDARD	2500	2.00	INTERNAL